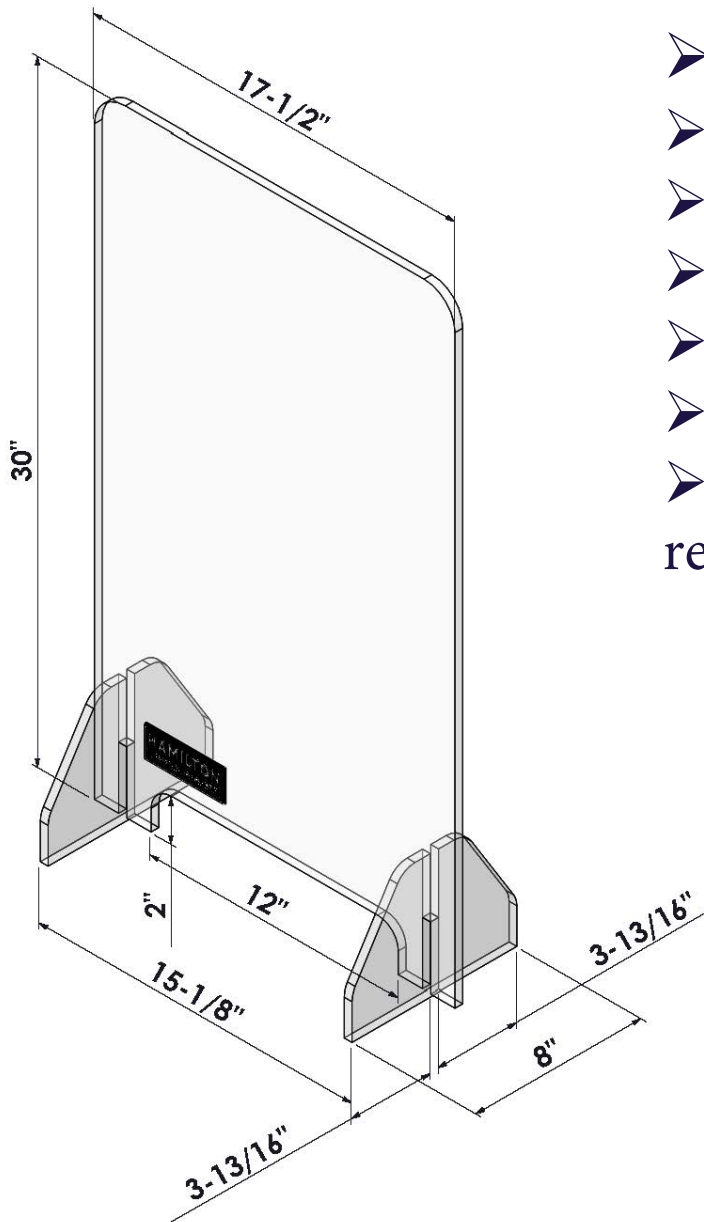


Clear Acrylic Sneeze Guard: Narrow



- 30"H x 17 1/2"W x 8" Base
- Barrier against germs
- Clear site lines
- Impact resistant
- 12" wide pass thru
- Lightweight and portable
- Removable base for easy relocation

Mission Essential Solutions to Protect What's Important to You!
Serving the Government for Over 30 Years.

HAMILTON
PRODUCTS GROUP, INC.



3997 Bach Buxton Road | Cincinnati, OH 45102 | 513.874.3733 | hamiltonproductsgroup.com

©2020 HPG