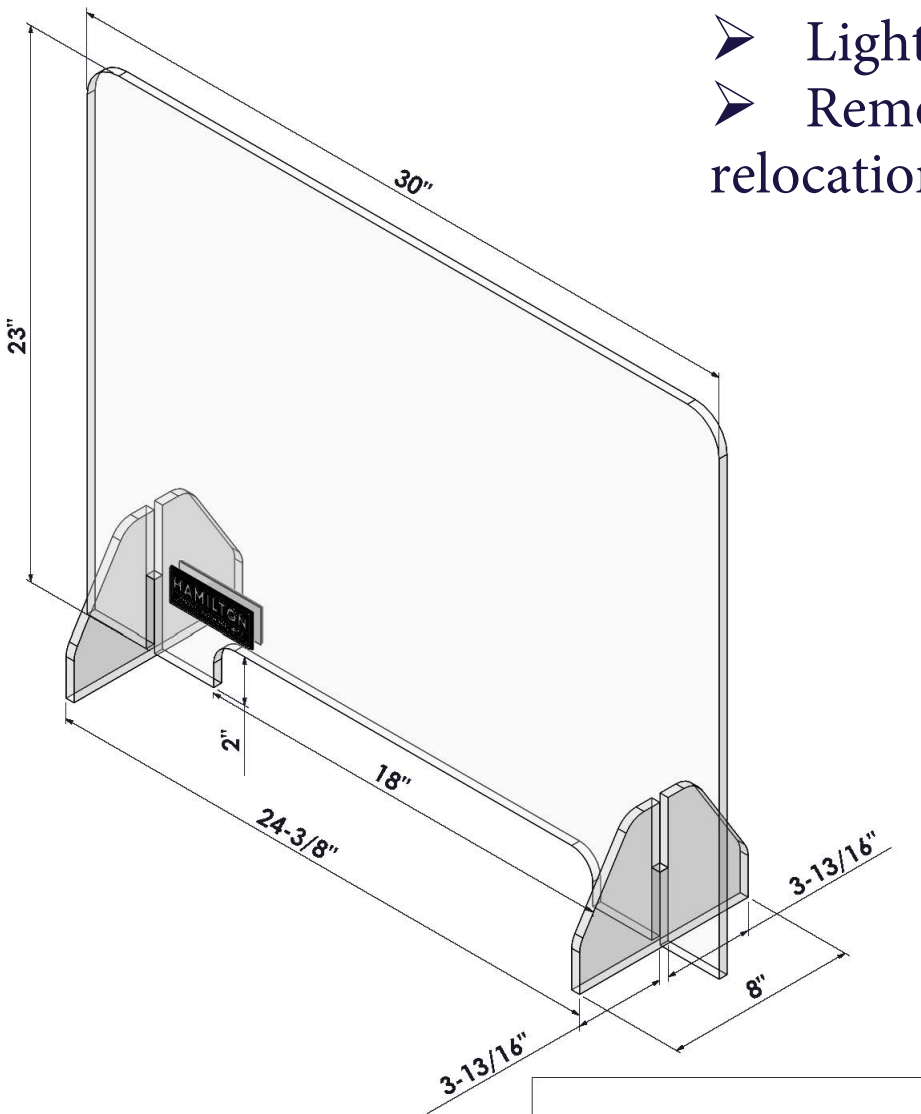


# Clear Acrylic Sneeze Guard: Standard

- 23"H x 30"W x 8" Base
- Barrier against germs
- Clear site lines
- Impact resistant
- 18" wide pass thru
- Lightweight and portable
- Removable base for easy relocation



**Mission Essential Solutions to Protect What's Important to You!**  
Serving the Government for Over 30 Years.

**HAMILTON**  
PRODUCTS GROUP, INC.



3997 Bach Buxton Road | Cincinnati, OH 45102 | 513.874.3733 | [hamiltonproductsgroup.com](http://hamiltonproductsgroup.com)

©2020 HPG